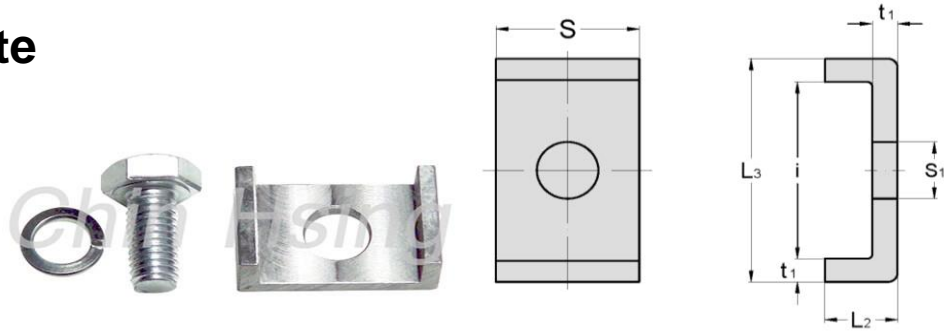


# Lock Plate



**ALL  
MS 30**

Lock Nuts NO.	t1 mm	S mm	L2 mm	S1 mm	i mm	L3 mm	Suitable Locknuts No.	Weight per 100 pcs kg
ALL44	4	20	12	7	13.5	21.5	ANL44	2.12
ALL48	4	20	12	9	17.5	25.5	ANL48	2.29
ALL52	4	20	12	9	17.5	25.5	ANL52	2.29
ALL56	4	24	12	9	17.5	25.5	ANL56	2.92
ALL60	4	24	12	9	20.5	28.5	ANL60	3.16
ALL64	5	24	15	9	21	31	ANL64	4.56
ALL68	5	24	15	9	21	31	ANL68	4.56
ALL72	5	28	15	9	20	30	ANL72	5.03
ALL76	5	28	15	12	24	34	ANL76	5.28
ALL80	5	28	15	12	24	34	ANL80	5.28
ALL84	5	32	15	12	24	34	ANL84	6.11
ALL88	5	32	15	14	28	38	ANL88	6.45
ALL92	5	32	15	14	28	38	ANL92	6.45
ALL96	5	36	15	14	28	38	ANL96	7.29
ALL100	5	36	15	14	28	38	ANL100	7.29

NOTE: The specifications of ALL can be applied for MS30.