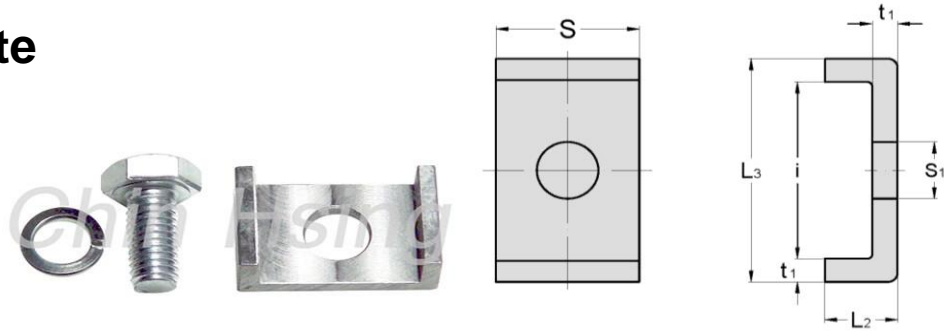


Lock Plate



AL
MS 31

| Lock Nuts NO. | t1 mm | S mm | L2 mm | S1 mm | i mm | L3 mm | Suitable Locknuts No. | Weight per 100 pcs kg |
|---------------|----------|---------|----------|----------|---------|----------|-----------------------|-----------------------|
| AL44 | 4 | 20 | 12 | 9 | 22.5 | 30.5 | AN44 | 2.6 |
| AL48 | 4 | 20 | 12 | 9 | 22.5 | 30.5 | AN48 | 2.6 |
| AL52 | 4 | 24 | 12 | 12 | 25.5 | 33.5 | AN52 | 3.39 |
| AL56 | 4 | 24 | 12 | 12 | 25.5 | 33.5 | AN56 | 3.39 |
| AL60 | 4 | 24 | 12 | 12 | 30.5 | 38.5 | AN60 | 3.79 |
| AL64 | 5 | 24 | 15 | 12 | 31 | 41 | AN64 | 5.35 |
| AL68 | 5 | 28 | 15 | 14 | 38 | 48 | AN68 | 6.65 |
| AL72 | 5 | 28 | 15 | 14 | 38 | 48 | AN72 | 6.65 |
| AL76 | 5 | 32 | 15 | 14 | 40 | 50 | AN76 | 7.96 |
| AL80 | 5 | 32 | 15 | 18 | 45 | 55 | AN80 | 8.2 |
| AL84 | 5 | 32 | 15 | 18 | 45 | 55 | AN84 | 8.2 |
| AL88 | 5 | 36 | 15 | 18 | 43 | 53 | AN88 | 9 |
| AL92 | 5 | 36 | 15 | 18 | 43 | 53 | AN92 | 9 |
| AL96 | 5 | 36 | 15 | 18 | 53 | 63 | AN96 | 10.4 |
| AL100 | 5 | 40 | 15 | 18 | 45 | 55 | AN100 | 10.5 |

NOTE: The specifications of AL can be applied for MS31.