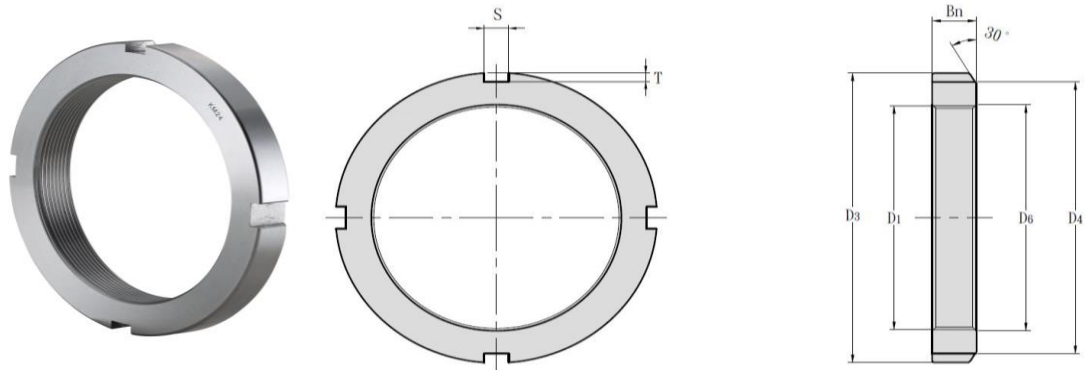


Lock Nuts



AN

Lock Nuts NO.	D1 Thread	D3 mm	D4 mm	Bn mm	S mm	T mm	D6 mm	Weight kg	Lock Washers No.
AN00	M10*0.75	18	13.5	4	3	2	10.5	0.005	AW00
AN01	M12*1.0	22	17	4	3	2	12.5	0.007	AW01
AN02	M15*1.0	25	21	5	4	2	15.5	0.010	AW02
AN03	M17*1.0	28	24	5	4	2	17.5	0.013	AW03
AN04	M20*1.0	32	26	6	4	2	20.5	0.019	AW04
AN05	M25*1.5	38	32	7	5	2	25.8	0.025	AW05
AN06	M30*1.5	45	38	7	5	2	30.8	0.043	AW06
AN07	M35*1.5	52	44	8	5	2	35.8	0.053	AW07
AN08	M40*1.5	58	50	9	6	2.5	40.8	0.085	AW08
AN09	M45*1.5	65	56	10	6	2.5	45.8	0.119	AW09
AN10	M50*1.5	70	61	11	6	2.5	50.8	0.148	AW10
AN11	M55*2.0	75	67	11	7	3	56	0.158	AW11
AN12	M60*2.0	80	73	11	7	3	61	0.174	AW12
AN13	M65*2.0	85	79	12	7	3	66	0.203	AW13
AN14	M70*2.0	92	85	12	8	3.5	71	0.242	AW14
AN15	M75*2.0	98	90	13	8	3.5	76	0.287	AW15
AN16	M80*2.0	105	95	15	8	3.5	81	0.397	AW16
AN17	M85*2.0	110	102	16	8	3.5	86	0.451	AW17
AN18	M90*2.0	120	108	16	10	4	91	0.556	AW18
AN19	M95*2.0	125	113	17	10	4	96	0.658	AW19
AN20	M100*2.0	130	120	18	10	4	101	0.698	AW20
AN21	M105*2.0	140	126	18	12	5	106	0.845	AW21
AN22	M110*2.0	145	133	19	12	5	111	0.965	AW22
AN23	M115*2.0	150	137	19	12	5	116	1.010	AW23
AN24	M120*2.0	155	138	20	12	5	121	1.080	AW24
AN25	M125*2.0	160	148	21	12	5	126	1.190	AW25
AN26	M130*2.0	165	149	21	12	5	131	1.250	AW26
AN27	M135*2.0	175	160	22	14	6	136	1.550	AW27
AN28	M140*2.0	180	160	22	14	6	141	1.560	AW28
AN29	M145*2.0	190	171	24	14	6	146	2.000	AW29
AN30	M150*2.0	195	171	24	14	6	151	2.030	AW30
AN31	M155*3.0	200	182	25	16	7	156.5	2.210	AW31
AN32	M160*3.0	210	182	25	16	7	161.5	2.590	AW32
AN33	M165*3.0	210	193	26	16	7	166.5	2.430	AW33
AN34	M170*3.0	220	193	26	16	7	171.5	2.800	AW34
AN36	M180*3.0	230	203	27	18	8	181.5	3.070	AW36
AN38	M190*3.0	240	214	28	18	8	191.5	3.390	AW38
AN40	M200*3.0	250	226	29	18	8	201.5	3.690	AW40

M means metric thread and the digits are major diameter of thread and pitch.

AN00-AN40 also available for 304 stainless steel.

NOTE: The specifications of AN can be applied for KM.