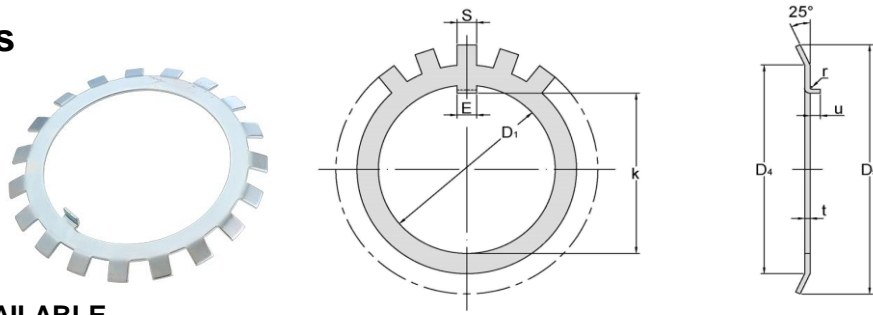


Lock Washers



AWL

FLAT/BENT TAB AVAILABLE

Lock Washers NO.	D1	k	E	t	S	D4	D5	r	u	Number of Tongues	Weight per 100pcs	Lock Nut No.
	mm	mm	mm	mm	mm	mm	mm	mm	mm		kg	
AWL24	120	115	14	2	12	135	151	1.5	6	19	7.70	ANL24
AWL26	130	125	14	2	12	145	161	1.5	6	19	8.70	ANL26
AWL28	140	135	16	2	14	155	171	1.5	8	19	10.90	ANL28
AWL30	150	145	16	2	14	170	188	1.5	8	19	11.30	ANL30
AWL32	160	154	18	2.5	16	180	199	1.5	8	19	16.20	ANL32
AWL34	170	164	18	2.5	16	190	211	1.5	8	19	19.00	ANL34
AWL36	180	174	20	2.5	18	200	221	1.5	8	19	18.00	ANL36
AWL38	190	184	20	2.5	18	210	231	1.5	8	19	20.50	ANL38
AWL40	200	194	20	2.5	18	222	245	1.5	8	19	21.40	ANL40

NO. AWL24-AWL40 also available for 304 stainless steel.

NOTE: The specifications of AWL can be applied for MBL.