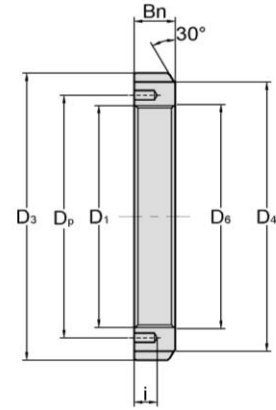
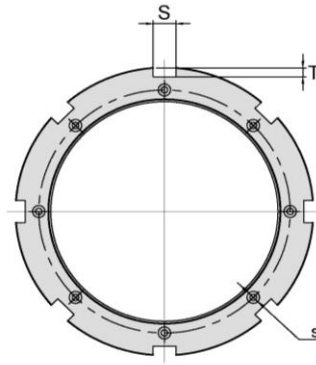


Lock Nuts

HML
HNL



Lock Nuts NO.	D1 Thread ¹⁾	D3 mm	D4 mm	Bn mm	S mm	T mm	D6 mm	Weight kg
HML41	Tr205*4	250	232	30	18	8	207	3.43
HML43	Tr215*4	260	242	30	20	9	217	3.72
HML47	Tr235*4	280	262	34	20	9	237	4.6
HML52	Tr260*4	310	290	34	20	10	262	5.8
HML56	Tr280*4	330	310	38	24	10	282	6.72
HML60	Tr300*4	360	336	42	24	12	302	9.6
HML64	Tr320*5	380	356	42	24	12	322.5	10.3
HML69	Tr345*5	410	384	45	28	13	347.5	11.5
HML72	Tr360*5	420	394	45	28	13	362.5	12.1
HML73	Tr365*5	430	404	48	28	13	367.5	14.2
HML76	Tr380*5	450	422	48	28	14	382.5	16
HML77	Tr385*5	450	422	48	28	14	387.5	15
HML80	Tr400*5	470	442	52	28	14	402.5	18.5
HML82	Tr410*5	480	452	52	32	14	412.5	19
HML84	Tr420*5	490	462	52	32	14	422.5	19.4
HML86	Tr430*5	500	472	52	32	14	432.5	19.8
HML88	Tr440*5	520	490	60	32	15	442.5	27
HML90	Tr450*5	520	490	60	32	15	452.5	27.5
HML92	Tr460*5	540	510	60	32	15	462.5	28
HML94	Tr470*5	540	510	60	32	15	472.5	28.5
HML96	Tr480*5	560	530	60	36	15	482.5	29.5
HML98	Tr490*5	580	550	60	36	15	492.5	34
HML100	Tr500*5	580	550	68	36	15	502.5	35
HML104	Tr520*6	600	570	68	36	15	523	37
HML106	Tr530*6	630	590	68	40	20	533	47
HML108	Tr540*6	630	590	68	40	20	543	43.5

Tr means 30°, trapezoid thread and the digits are major diameter of thread and pitch

NOTE: The specifications of HML can be applied for HNL.