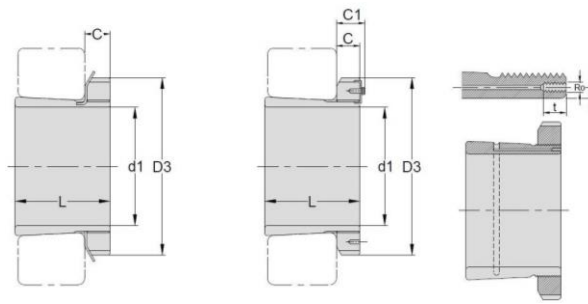


## Hydraulic Adapter Sleeves



TAPER 1:12

### HOH 23

Hydraulic Adapter Sleeve NO.	d1 H mm	L mm	D3 mm	C mm	C <sub>1</sub> <sup>2)</sup> mm	Ro	e mm	t mm	Lock Nut	Lock Washer & Lock Plate	Weight kg
HOH2332	140	147	210	28	-	M6	4.2	8	AN32	AW32	9.14
HOH2334	150	154	220	29	-	M6	4.2	8	AN34	AW34	10.2
HOH2336	160	161	230	30	-	M6	4.2	8	AN36	AW36	11.3
HOH2338	170	169	240	31	-	M6	4.2	8	AN38	AW38	12.6
HOH2340	180	176	250	32	-	M6	4.2	8	AN40	AW40	13.9
HOH2344	200	186	280	35	-	M6	4.2	8	AN44	AL44	17.7
HOH2348	220	199	300	37	-	M6	4.2	8	AN48	AL48	20.7
HOH2352	240	211	330	38	-	M6	4.2	8	AN52	AL52	25.4
HOH2356	260	224	350	39	-	M6	4.2	8	AN56	AL56	29.1

CS Hydraulic adapter sleeves are supplied completely with lock nuts and lock washers or lock plates.