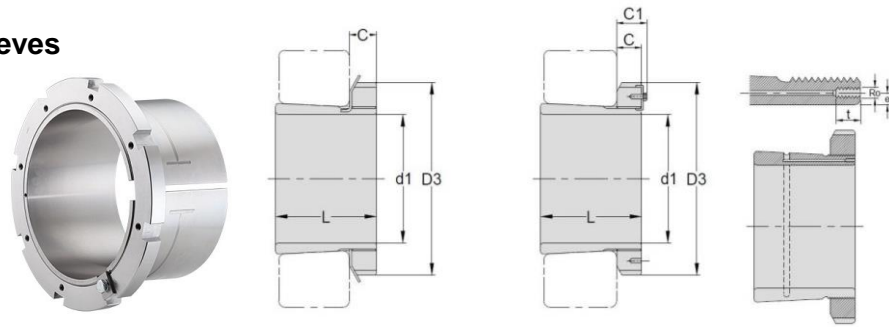


Hydraulic Adapter Sleeves



TAPER 1:12

HOH 31

Hydraulic Adapter Sleeve NO.	d1 H mm	L mm	D3 mm	C mm	C ₁ ²⁾ mm	Ro	e mm	t mm	Lock Nut	Lock Washer & Lock Plate	Weight kg
HOH3132	140	119	210	28	-	M6	4.2	8	AN32	AW32	7.67
HOH3134	150	122	220	29	-	M6	4.2	8	AN34	AW34	8.38
HOH3136	160	131	230	30	-	M6	4.2	8	AN36	AW36	9.5
HOH3138	170	141	240	31	-	M6	4.2	8	AN38	AW38	10.8
HOH3140	180	150	250	32	-	M6	4.2	8	AN40	AW40	12.1
HOH3144	200	161	280	35	-	M6	4.2	8	AN44	AL44	14.7
HOH3148	220	172	300	37	-	M6	4.2	8	AN48	AL48	17.3
HOH3152	240	190	330	36	-	M6	4.2	8	AN52	AL52	22
HOH3156	260	195	350	38	-	M6	4.2	8	AN56	AL56	24.5
HOH3160	280	208	380	40	53	M6	4.2	8	AN60	AL60	30.2
HOH3164	300	226	400	42	56	M6	3.5	8	AN64	AL64	34.9
HOH3168	320	254	440	55	72	M6	3.5	8	AN68	AL68	49.5
HOH3172	340	259	460	58	75	M6	3.5	8	AN72	AL72	54.2
HOH3176	360	264	490	60	77	M6	3.5	8	AN76	AL76	61.7
HOH3180	380	272	520	62	82	M6	3.5	8	AN80	AL80	70.6
HOH3184	400	304	540	70	90	M6	3.5	8	AN84	AL84	84.2
HOH3188	410	307	560	70	90	M8	6.5	12	AN88	AL88	104
HOH3192	430	326	580	75	95	M8	6.5	12	AN92	AL92	116
HOH3196	450	335	620	75	95	M8	6.5	12	AN96	AL96	133
HOH31/500	470	356	630	80	100	M8	6.5	12	AN100	AL100	143

CS Hydraulic adapter sleeves are supplied completely with lock nuts and lock washers or lock plates.