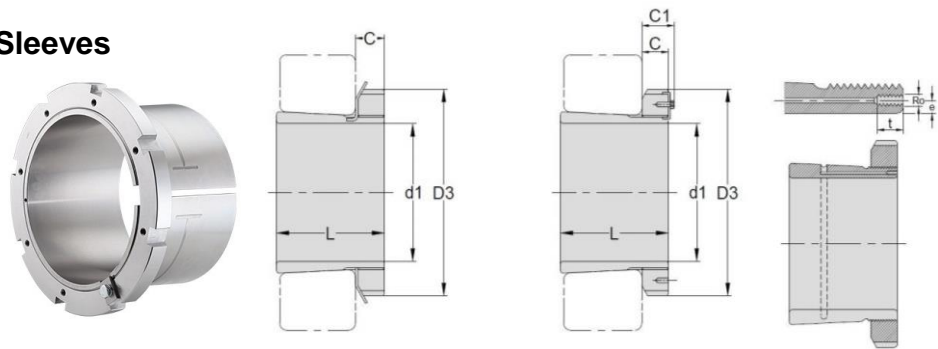


Hydraulic Adapter Sleeves



PAPER 1:12

HOH 32

Hydraulic Adapter Sleeve NO.	d1 H mm	L mm	D3 mm	C mm	C ₁ ²⁾ mm	Ro	e mm	t mm	Lock Nut	Lock Plate	Weight kg
HOH3260	280	240	380	40	53	M6	4.2	8	AN60	AL60	34.1
HOH3264	300	258	400	42	56	M6	3.5	8	AN64	AL64	39.3
HOH3268	320	288	440	55	72	M6	3.5	8	AN68	AL68	54.6
HOH3272	340	299	460	58	75	M6	3.5	8	AN72	AL72	60.2
HOH3276	360	310	490	60	77	M6	3.5	8	AN76	AL76	69.6
HOH3280	380	328	520	62	82	M6	3.5	8	AN80	AL80	81
HOH3284	400	352	540	70	90	M6	3.5	8	AN84	AL84	94
HOH3288	410	361	560	70	90	M8	6.5	12	AN88	AL88	118
HOH3292	430	382	580	75	95	M8	6.5	12	AN92	AL92	132
HOH3296	450	397	620	75	95	M8	6.5	12	AN96	AL96	152
HOH32/500	470	428	630	80	100	M8	6.5	12	AN100	AL100	166

CS Hydraulic adapter sleeves are supplied completely with lock nuts and lock plates.