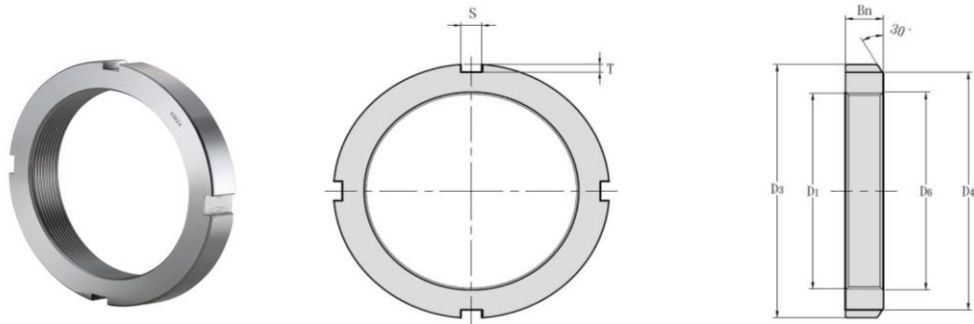


Lock Nuts



KML

| Lock Nuts NO. | D1 | D3 | D4 | Bn | S | T | D6 | Weight | Lock Washers |
|------------------|----------|-----|-----|----|----|----|-------|--------|--------------|
| | Thread | mm | mm | mm | mm | mm | mm | kg | No. |
| KML24 | M120*2.0 | 145 | 135 | 20 | 12 | 5 | 121 | 0.78 | MBL24 |
| KML26 | M130*2.0 | 155 | 145 | 21 | 12 | 5 | 131 | 0.88 | MBL26 |
| KML28 | M140*2.0 | 165 | 155 | 22 | 14 | 5 | 141 | 0.99 | MBL28 |
| KML30 | M150*2.0 | 180 | 170 | 24 | 14 | 5 | 151 | 1.38 | MBL30 |
| KML32 | M160*3.0 | 190 | 180 | 25 | 16 | 5 | 161.5 | 1.56 | MBL32 |
| KML34 | M170*3.0 | 200 | 190 | 26 | 16 | 5 | 171.5 | 1.72 | MBL34 |
| KML36 | M180*3.0 | 210 | 200 | 27 | 18 | 5 | 181.5 | 1.95 | MBL36 |
| KML38 | M190*3.0 | 220 | 210 | 28 | 18 | 5 | 191.5 | 2.08 | MBL38 |
| KML40 | M200*3.0 | 240 | 222 | 29 | 18 | 8 | 201.5 | 2.98 | MBL40 |

M means metric thread and the digits are major diameter of thread and pitch.

KML24-KML40 also available for 304 stainless steel.

NOTE: The specifications of KML can be applied for ANL.