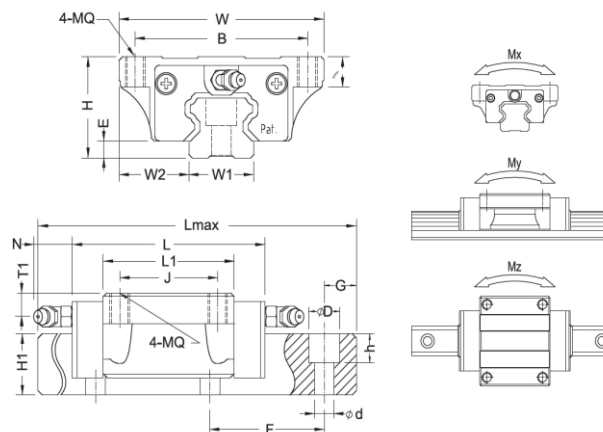


自潤式線性滑軌高組裝 (法蘭加長型)



| 型號 | 組合尺寸 mm | | | | 滑座尺寸 mm | | | | | | | 滑軌尺寸 mm | | | |
|---------|------------|----|------|-----|------------|-------|--------|------|------|-----|------|------------|----|----|-------------|
| | H | W | W2 | E | L | BxJ | MQxℓ | L1 | 油孔 | T1 | (N) | W1 | H1 | F | dxDxh |
| BRC15A0 | 24 | 47 | 16 | 4.6 | 66 | 38x30 | M5x8 | 40 | Ø3 | 4.3 | 5 | 15 | 14 | 60 | 4.5x7.5x5.8 |
| BRD15A0 | | | | | 56 | | | | | | | | | | |
| BRC20A0 | 30 | 63 | 21.5 | 5 | 77.8 | 53x40 | M6x9 | 48.8 | M6x1 | 7 | 15.6 | 20 | 18 | 60 | 6x9.5x9 |
| BRD20A0 | | | | | 67.8 | | | 63.4 | | | | | | | |
| BRC20LA | | | | | 92.4 | | | | | | | | | | |
| BRD20LA | | | | | 82.4 | | | | | | | | | | |
| BRC25A0 | 36 | 70 | 23.5 | 7 | 88 | 57x45 | M8x12 | 57 | M6x1 | 7.8 | 15.6 | 23 | 22 | 60 | 7x11x9.5 |
| BRD25A0 | | | | | 78 | | | 79.1 | | | | | | | |
| BRC25LA | | | | | 110.1 | | | | | | | | | | |
| BRD25LA | | | | | 100.1 | | | | | | | | | | |
| BRC30A0 | 42 | 90 | 31 | 9 | 109 | 72x52 | M10x12 | 72 | M6x1 | 7 | 15.6 | 28 | 26 | 80 | 9x14x12.5 |
| BRD30A0 | | | | | 99 | | | 94.3 | | | | | | | |
| BRC30LA | | | | | 131.3 | | | | | | | | | | |
| BRD30LA | | | | | 121.3 | | | | | | | | | | |

| | | | | | | | | | | | | | | | |
|---------|----|-----|------|-----|-------|--------|--------|-------|------|-----|------|----|----|-----|------------|
| BRD35A0 | 48 | 100 | 33 | 9.5 | 109 | 82x62 | M10x13 | 80 | M6x1 | 8 | 15.6 | 34 | 29 | 80 | 9x14x12.5 |
| BRD35LA | | | | | 134.8 | | | 105.8 | | | | | | | |
| BRD45A0 | 60 | 120 | 37.5 | 14 | 138.2 | 100x80 | M12x15 | 105 | M8x1 | 8.5 | 16 | 45 | 38 | 105 | 14x20x17.5 |
| BRD45LA | | | | | 163 | | | 129.8 | | | | | | | |

| 型號 | 參考資料 (mm) | | 基本荷重 (Kgf) | | 容許靜力矩 (Kgf*m) | | | 重量 | |
|---------|--------------|------|------------------|-------------------|------------------|-------|-------|------------|--------------|
| | Lmax | G | 動額定 負荷 (C) | 靜額定 負荷 (CO) | Mx | My | Mz | 滑塊 (Kg) | 滑軌 (kg/m) |
| BRC15A0 | 4000 | 20 | 850 | 1350 | 10.1 | 6.8 | 6.8 | 0.21 | 1.4 |
| BRD15A0 | | | | | | | | | |
| BRC20A0 | 4000 | 20 | 1400 | 2400 | 24 | 14.6 | 14.6 | 0.4 | 2.6 |
| BRD20A0 | | | | | | | | | |
| BRC20LA | | | 1650 | 3000 | 30 | 23.8 | 23.8 | 0.52 | |
| BRD20LA | | | | | | | | | |
| BRC25A0 | 4000 | 20 | 1950 | 3200 | 36.8 | 22.8 | 22.8 | 0.57 | 3.6 |
| BRD25A0 | | | | | | | | | |
| BRC25LA | | | 2600 | 4600 | 52.9 | 45.5 | 45.5 | 0.72 | |
| BRD25LA | | | | | | | | | |
| BRC30A0 | 4000 | 20 | 2850 | 4800 | 67.2 | 43.2 | 43.2 | 1.1 | 5.2 |
| BRD30A0 | | | | | | | | | |
| BRC30LA | | | 3600 | 6400 | 89.6 | 75.4 | 75.4 | 1.4 | |
| BRD30LA | | | | | | | | | |
| BRD35A0 | 4000 | 20 | 3850 | 6200 | 105.4 | 62 | 62 | 1.6 | 7.2 |
| BRD35LA | | | 4800 | 8300 | 141.1 | 109.8 | 109.8 | 2 | |
| BRD45A0 | 4000 | 22.5 | 6500 | 10500 | 236.3 | 137.8 | 137.8 | 2.7 | 12.3 |
| BRD45LA | | | 7700 | 13000 | 292.5 | 210.9 | 210.9 | 3.6 | |