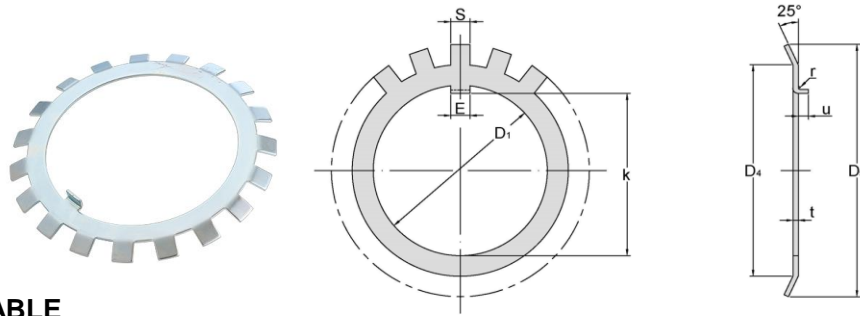


Lock Washers



MBL

FLAT/BENT TAB AVAILABLE

Lock Washers No.	D1 mm	k mm	E mm	t mm	S mm	D4 mm	D5 mm	r mm	u mm	Number of Tongues	Weight per 100pcs kg	Lock Nut No.
MBL24	120	115	14	2	12	135	151	1.5	6	19	7.7	KML24
MBL26	130	125	14	2	12	145	161	1.5	6	19	8.7	KML26
MBL28	140	135	16	2	14	155	171	1.5	8	19	10.9	KML28
MBL30	150	145	16	2	14	170	188	1.5	8	19	11.3	KML30
MBL32	160	154	18	2.5	16	180	199	1.5	8	19	16.2	KML32
MBL34	170	164	18	2.5	16	190	211	1.5	8	19	19	KML34
MBL36	180	174	20	2.5	18	200	221	1.5	8	19	18	KML36
MBL38	190	184	20	2.5	18	210	231	1.5	8	19	20.5	KML38
MBL40	200	194	20	2.5	18	222	245	1.5	8	19	21.4	KML40

NO. MBL24-MBL40 also available for 304 stainless steel.

NOTE: The specifications of MBL can be applied for AWL.