

SPW

Self-lubricated Bushings #500SP Thrust Washers (SPW)

*Please refer to SPB configuration

*Can be combined with SPB product

ITEM NO=SPW-XX XX
ID Thickness

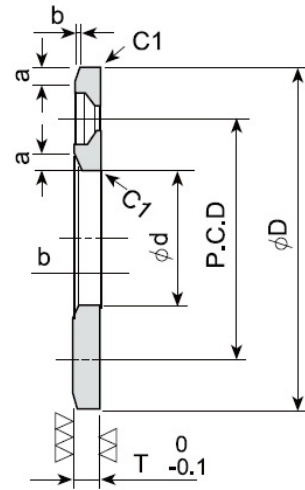
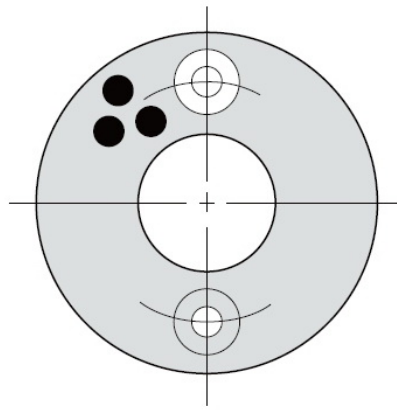


Dimension (mm)		Thickness		Tolerance ⁻⁰ / _{-0.1}	
ID	OD	3	5	7	8
∅d	∅D	SPW	SPW	SPW	SPW
10.2	30	-1003			
12.2	40	-1203			
12.2	40	-1203N			
13.2	40	-1303			
14.2	40	-1403			
15.2	50	-1503			
16.2	50	-1603			
16.2	50	-1603N			
18.2	50	-1803			
20.2	50		-2005		
25.2	55		-2505		
30.2	60		-3005		
35.2	70		-3505		
40.2	80			-4007	
45.2	90			-4507	
50.3	100				-5008
55.3	110				-5508
60.3	120				-6008
65.3	125				-6508
70.3	130				
75.3	140				
80.3	150				
90.5	170				
100.5	190				
120.5	200				

**Self-lubricated Bushings #500SP
Thrust Washers (SPW)**

*Please refer to SPB configuration
*Can be combined with SPB product

**ITEM NO=SPW-XX XX
ID Thickness**



10	Mounting hole			Chamfer	
	SPW	P.C.D	Q'ty countersunk bolt screw	a	b
	20	2	M3	1.5	0.3
	28	2	M3	2	0.4
		no countersunk bolt hole		2	0.4
	28	2	M3	2	0.4
	28	2	M3	2	0.4
	35	2	M3	2	0.4
	35	2	M3	2	0.4
		no countersunk bolt hole		2	0.4
	35	2	M3	2	0.4
	35	2	M5	2.5	0.4
	40	2	M5	2.5	0.4
	45	2	M5	2.5	0.4
	50	2	M5	2.5	0.4
	60	2	M6	3	0.5
	70	2	M6	3	0.5
	75	4	M6	4	0.6
	85	4	M6	4	0.6
	90	4	M8	5	0.8
	95	4	M8	5	0.8
-7010	100	4	M8	5	0.8
-7510	110	4	M8	5	0.8
-8010	120	4	M8	5	0.8
-9010	140	4	M10	5	0.8
-10010	160	4	M10	5	0.8
-12010	175	4	M10	5	0.8